

W24IT7T-PTA2-ME

24" Intel® Core™ i5-1135G7 Healthcare Panel PC



KEY FEATURES

- Intel® Core™ i5-1135G7 2.4 GHz (turbo to 4.2GHz) Processor
- Projected Capacitive Multitouch
- Fanless cooling system and ultralow power consumption
- Front IP65 for protection against water and dust
- A true flat, easytoclean front surface with edgetoedge design
- Housing with antimicrobial properties

INTRODUCTION

Winmate P-CAP Healthcare Panel PC Series, available in 21.5" and 24" sizes, is engineered for healthcare environments, combining performance, hygiene, and usability. Featuring Intel® Core™ i5 processors, Projected Capacitive Multi-Touch, and a fanless cooling system, these PCs deliver efficient, silent operation. The antimicrobial housing, front IP65 water and dust protection, and easy-to-clean edge-to-edge design ensure reliability in medical applications such as patient care, diagnostics, and data management, maintaining hygiene and efficiency in critical settings.

SPECIFICATIONS

Display

Resolution	1920x1080	Size	24.0 inches
Contrast Ratio	3000:1	Panel Brightness	250.0 nits
View Angles	89,89,89,89	Active Area	527.04x296.46 mm
Touch / Glass	Projected Capacitive Multi Touch Screen (AG)		

System Specification

WLAN	Support (Optional)	BT	Support (Optional)
Processor	Intel Core i5-1135G7 2.4GHz (up to 4.2GHz)	Memory	Dual-channel (non-ECC) SO-DIMM RAM.Up to 64GB
Storage	128GB SSD(Default) (Default) 256GB SSD (Optional) 512GB SSD (Optional) 1TB (Optional) 2TB (Optional) 4TB 1 x SATA III for 2.5" SSD/HDD (Optional)	Ethernet controller	2 x Intel® Ethernet Controller
Security	TPM 2.0	Operating System	*Note: Only Windows 11 support Wake on touch Windows 11 IoT Enterprise LTSC(64 bit) (Optional) Windows 10 IoT Enterprise LTSC(64 bit) (Optional) Linux Ubuntu 22.04 (Optional)

Mechanical

Dimension	588 x 358 x 60 mm	Mounting	VESA mount
Enclosure	Plastic	Cooling System	Fanless Design

Environment

Operating Humidity	10% to 90% RH, Non-Condensing	Operating Temperature	0°C to 50°C
Storage Temperature	-10°C to 60°C	IP rating	Front IP65

Certification

Certification	IEC/EN 60601-1 IEC 60601-1-2:2014/AMD:2020 IEC60601-1-6 +IEC62366 EN 60601-1-2:2015/A1:2021 EN55032/35, FCC Part15B, ICE-003 ISO14971 RoHS-2, REACH, WEEE compliant
---------------	---

IO Ports

USB Port	4 x USB3.2 Gen2x1 (Type-A)	Serial Port	1 x Isolation RS232 (Optional)
Video	1 x DP1.4 (Default) 1 x HDMI 2.0 (Optional)	Audio	1 x Mic in 1 x Line out 2 x Speaker
Expansion Port	1 x M.2 2242/2280 Key M slot for SATA/NVMe SSD (Default) 1 x M.2 2230 Key E slot for WLAN (Optional)	LAN	1 x Giga LAN RJ45 Connector 1 x 2.5 Giga LAN RJ45 Connector
Indicator	1 x LED Indicator for power 1 x LED Indicator for storage		

Control

Button	1 x Power Button 1 x Reset Button
--------	--------------------------------------

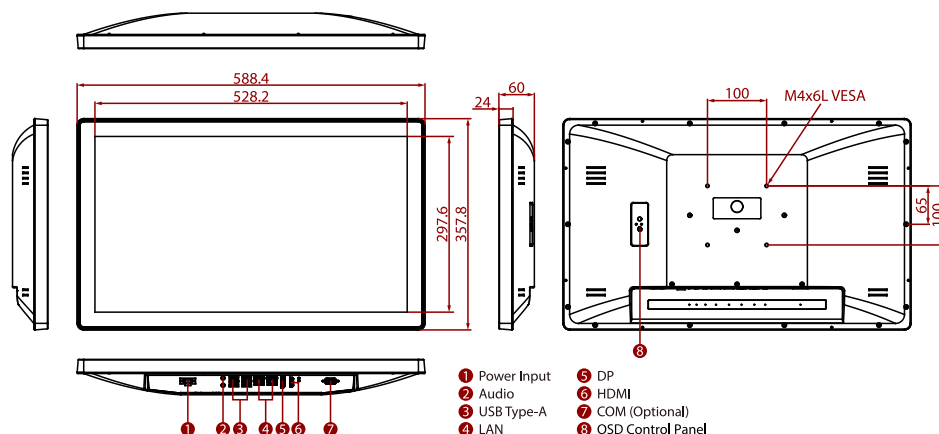
Accessory

Accessory	100~240V AC to DC Adapter Power Cord VESA screws
-----------	--

Power

Power Rating	24V DC in with Terminal block	Adapter	24V 150W
Consumption	Max: 60W		

DIMENSIONS UNIT:MM



NOTE

1. This is a simplified drawing and some components are not marked in detail.
2. Please contact our sales representative if you need further product information.
3. All specifications are subject to change without prior notice.
4. The product shown in this datasheet is a standard model. For diagrams that contain customized or optional I/O, please contact the Winmate Sales Team for more information.