

# M101EK-ME

10.1" Healthcare Rugged Tablet PC with Intel® Celeron® N6211



## KEY FEATURES

- Intel® Elkhart Lake Celeron® N6211 Processor
- 10.1" 1920 x 1200 IPS LED Panel with direct optical bonding
- Lightweight, low power consumption, rugged, IP65 waterproof and dustproof
- Removable battery with hot-swap function for all day productivity
- Stylus, glove, and wet-touch modes fulfilling multiple medical operations
- In compliance with IEC/EN 60601-1, IEC/EN 60601-1-2, UL 60601-1
- Housing enhanced with antimicrobial properties
- USB Type-C port supports power delivery

## INTRODUCTION

Winmate Healthcare Rugged Tablet Series is designed to meet the rigorous demands of medical environments, offering reliable performance with Android and Windows operating systems. Featuring lightweight, antimicrobial housings and IP65-rated water and dust resistance, these tablets ensure durability and hygiene. With 10.1" high-resolution displays, hot-swappable batteries, and optional barcode scanners, they enhance efficiency for patient care, medication management, and data collection, making them essential tools for healthcare professionals.

## SPECIFICATIONS

### Display

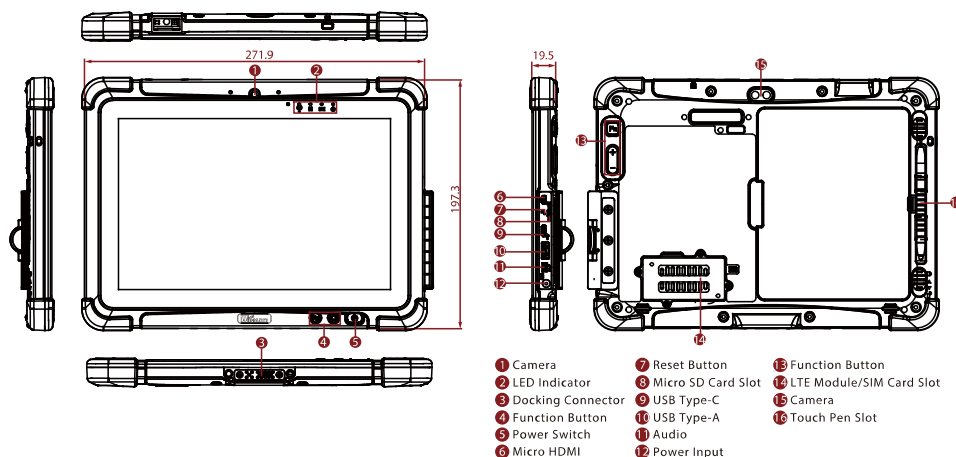
<b>Resolution</b>	1920x1200	<b>Size</b>	10.1 inches
<b>Contrast Ratio</b>	800:1	<b>Panel Brightness</b>	800.0 nits
<b>View Angles</b>	85,85,85,85	<b>Type</b>	Projected Capacitive Multi Touch
<b>Viewability</b>	Anti-Glare touch treatment	<b>Bonding</b>	Optical Bonding for Sunlight Viewability

### System Specification

<b>Processor</b>	Intel Celeron N6211 @1.20 GHz (up to 3.00 GHz) (Default) Intel Pentium N6415 @1.20 GHz (up to 3.00 GHz) (Optional)	<b>Memory</b>	4GB (Default) 8GB (Optional)
<b>Storage</b>	128GB SSD Additional storage available with micro SDXC card slot (Default) 256GB SSD (Optional) 512GB SSD (Optional)	<b>Security</b>	Trusted Platform Module (TPM) 2.0 Kensington Lock
<b>Operating System</b>	Windows 11 IoT Enterprise LTSC (64 bit) (Default) Windows 10 IoT Enterprise LTSC (64 bit) (Optional)	<b>WLAN</b>	Support
<b>BT</b>	Support	<b>WWAN</b>	4G (Optional) 5G (Optional)
<b>GNSS</b>	GPS, GLONASS, Galileo, BeiDou	<b>RFID</b>	HF RFID 13.56 MHz reader (Optional) add-on UHF RFID Reader (Optional)
<b>Sensors</b>	Light sensor/ G-sensor / Gyro	<b>Smart Card Reader</b>	Add-on Smart Card Reader (Optional)

Camera			
<b>Front Camera</b>	2MP Front Camera	<b>Rear Camera</b>	8MP Rear Camera with auto-focus and LED light
Mechanical			
<b>Dimension</b>	271.9 x 197.3 x 19.5 mm	<b>Weight</b>	1.2 kg (2.65 lbs) with standard battery, 1.4 kg (3.1 lbs) with optional high capacity battery
<b>Cooling System</b>	Fanless Design	<b>Housing</b>	Housing enhanced with antimicrobial properties
IO Ports			
<b>USB Port</b>	1 x USB 3.0 (Type A), 1 x USB 3.0 (Type-C support Power Delivery 20W In)	<b>SD Card Slot</b>	1 x Micro SD Card slot (Support SDXC)
<b>SIM Card Slot</b>	1 x SIM card slot	<b>Video</b>	1 x Micro HDMI Output (Optional)
<b>Audio</b>	1 x Audio combo 3.5mm audio combo jack (Mic in or Line Out) Dual Digital Mic With Noise Cancellation Dual Speaker	<b>Expansion Port</b>	1 x Expansion connector (Optional)
<b>Indicator</b>	4x LED Indicator for Power, Battery, HDD, RF status	<b>Docking Connector</b>	1 x 19-pin docking connector
Environment			
<b>Operating Humidity</b>	10% to 90% RH, non-condensing	<b>Operating Temperature</b>	0 to 35°C
<b>Storage Temperature</b>	-30°C to 70°C (-22°F to 158°F)	<b>Shock</b>	MIL-STD-810G Method 516.6 Procedure I
<b>Vibration</b>	MIL-STD-810G Method 514.6 Procedure I	<b>IP rating</b>	IP65
<b>Drop</b>	MIL-STD-810G Method 516.6, 4 ft		
Certification			
<b>Certification</b>	CE, FCC, IEC/EN 60601-1, IEC/EN 60601-1-2, UL 60601-1		
Control			
<b>Button</b>	1 x Power, 1 x Home, 2 x Volume, 2 x Programmable Function Keys		
Security Function			
<b>SOTI MobiControl</b>	SOTI MobiControl Compliance	<b>Kensington Lock</b>	Kensington Lock Support
Accessory			
<b>Accessory</b>	Adapter and Power Cord Capacitive Stylus Standard Battery	<b>Optional Accessory</b>	Desk Dock (Optional) Vehicle Dock (without VGA output) (Optional) Vehicle Cradle (Optional) Battery Charger (Optional) Smart Card Reader (Optional) High Capacity Battery (Optional) Hand Strap (Optional) VESA Mount Kit (Optional) Shoulder Strap (Optional) Carry Bag (Optional) Vehicle Charger (Optional)
Barcode Scanner			
<b>Barcode Scanner</b>	1D/2D barcode reader (Optional)		
Power			
<b>Battery</b>	Hot-swappable 7.4V, typ. 5140 mAh Li-Polymer Battery (2S1P) (Default) 7.4V, typ. 10280 mAh Li-Polymer Battery (2S2P, Optional)	<b>Battery Operating Time</b>	Standard Battery: 8 hours
<b>Power Rating</b>	19V DC	<b>Adapter</b>	100-240V, 50-60Hz (19V DC)

## DIMENSIONS UNIT:MM



## NOTE

1. This is a simplified drawing and some components are not marked in detail.
2. Please contact our sales representative if you need further product information.
3. All specifications are subject to change without prior notice.
4. The product shown in this datasheet is a standard model. For diagrams that contain customized or optional I/O, please contact the Winmate Sales Team for more information.